

# ASSEMBLY INSTRUCTIONS

## SINK BASE CABINET (SB24, SB27, SB30)

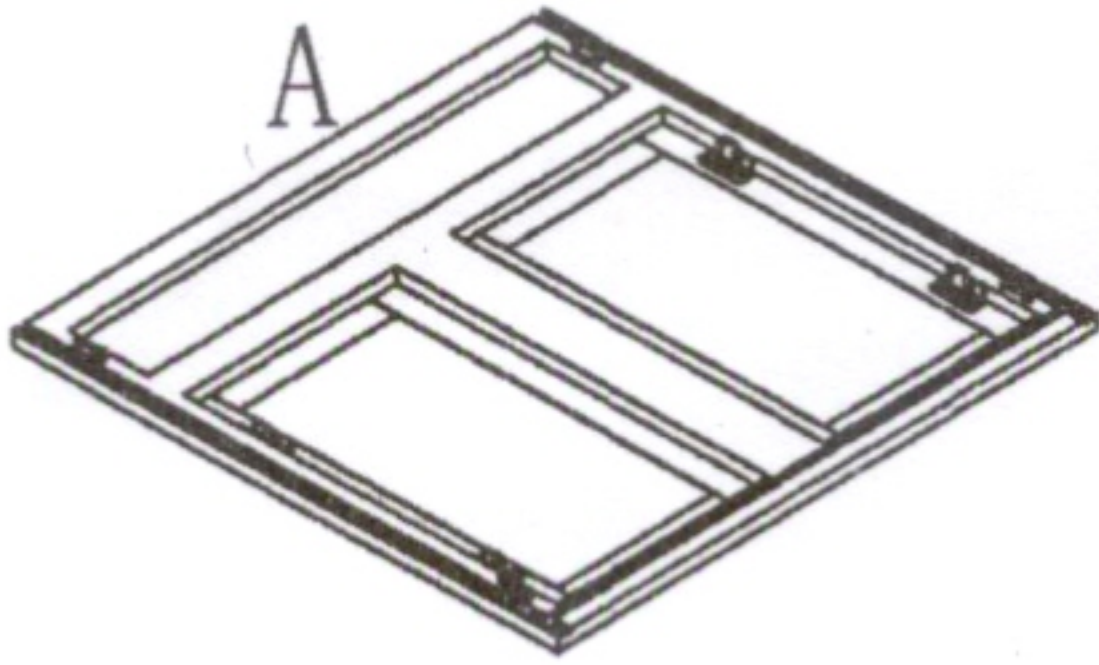
### CABINET PARTS LIST

A-Doors & Face Frame B-End Panels(2) D-Bottom Panel E-Top Back Brace  
F-Bottom Back Brace H-Toe Kick

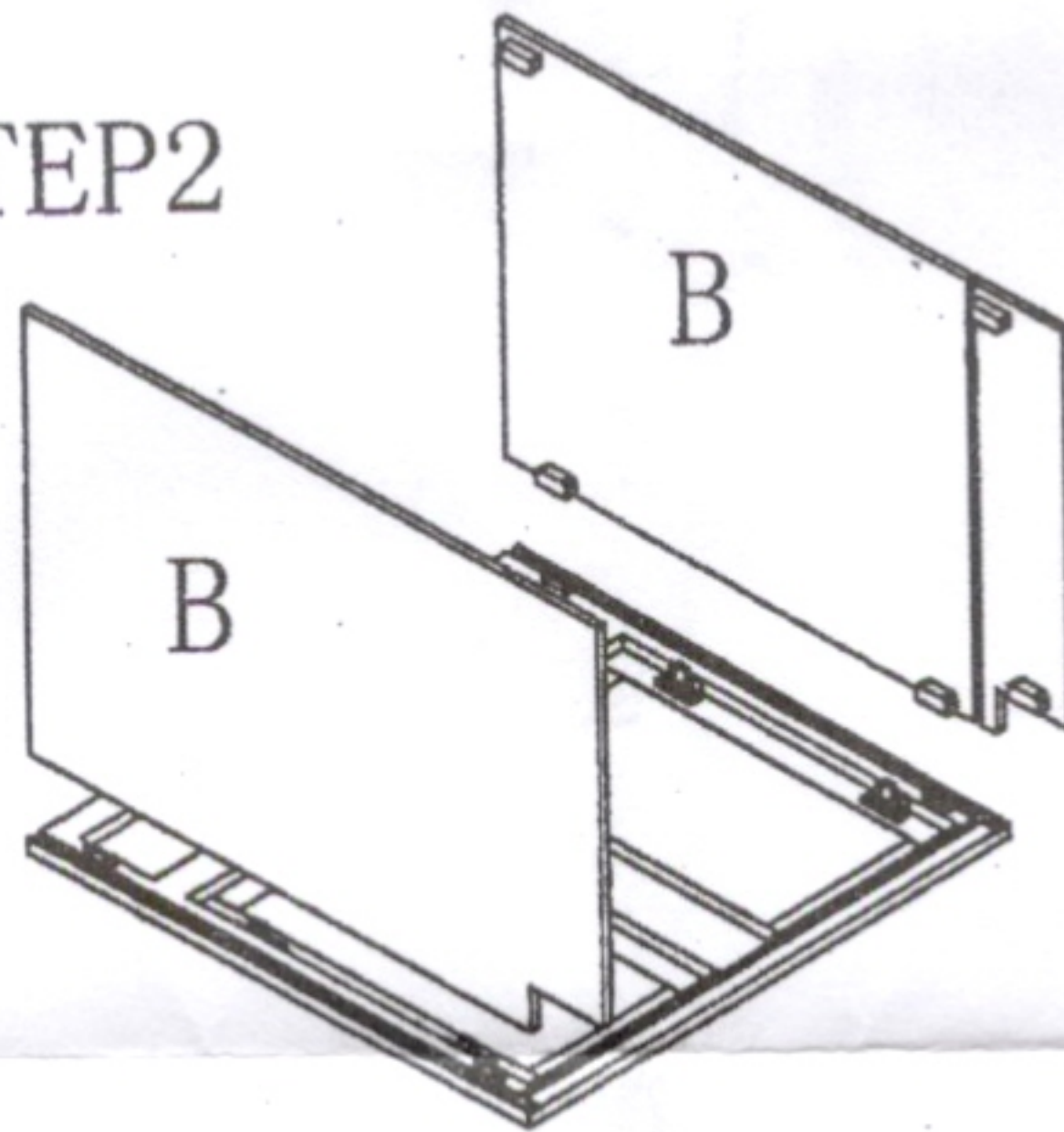
### HARDWARE PARTS LIST

1、Corner Braces(4) 2、Screws( $\text{Ø}3.5 \times 25-4$ ) 3、Screws( $\text{Ø}3 \times 12-8$ )

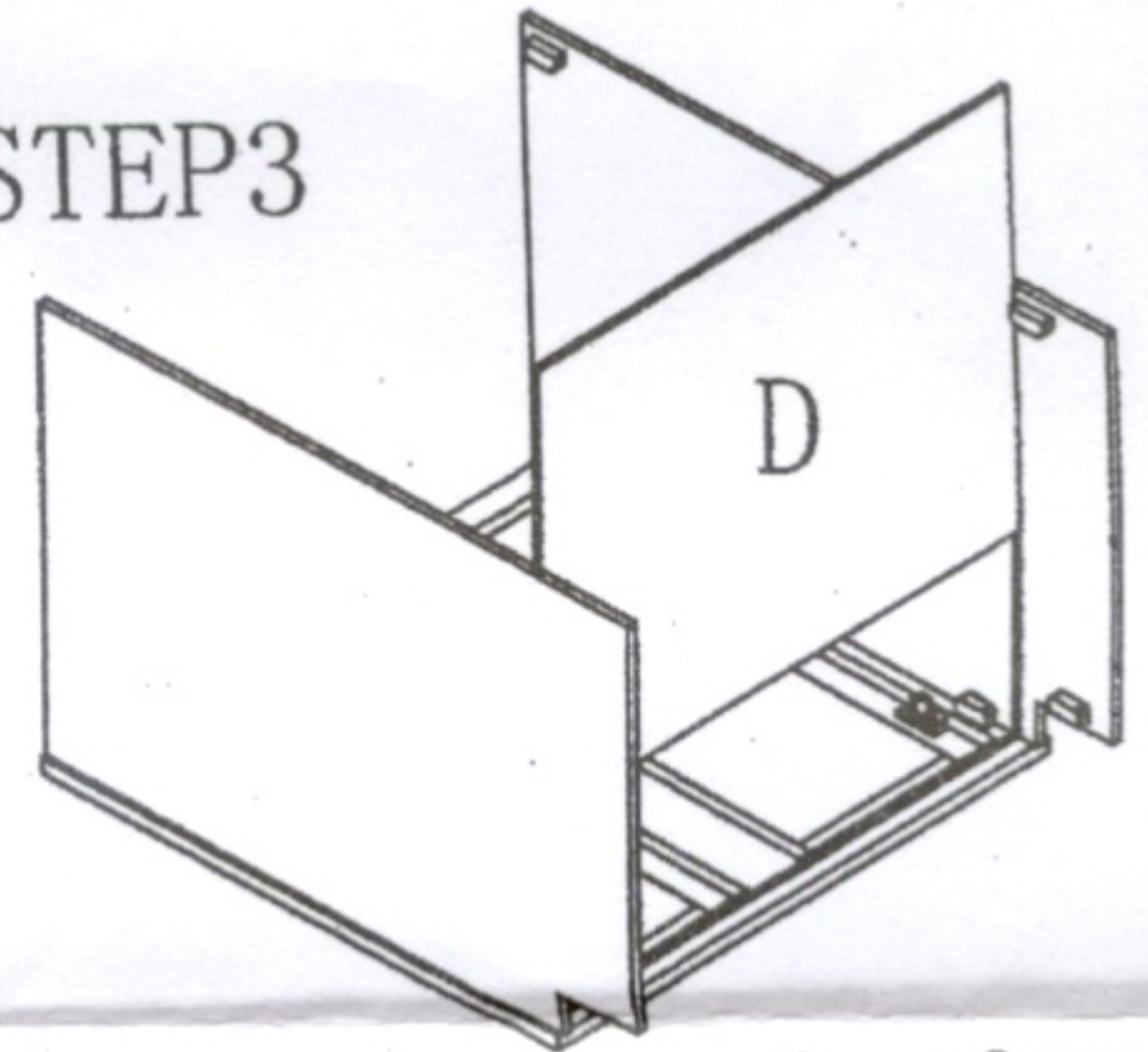
STEP1



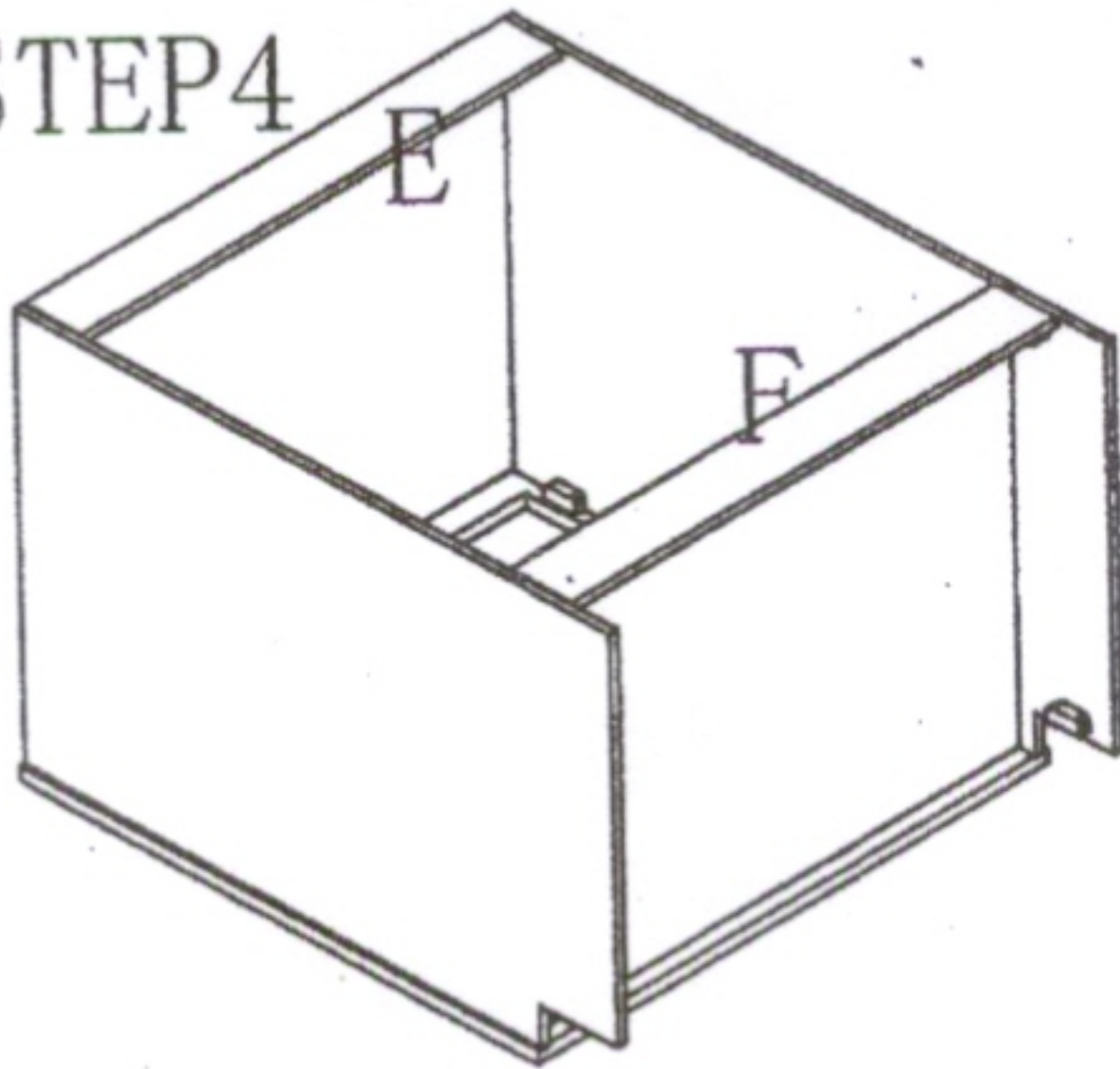
STEP2



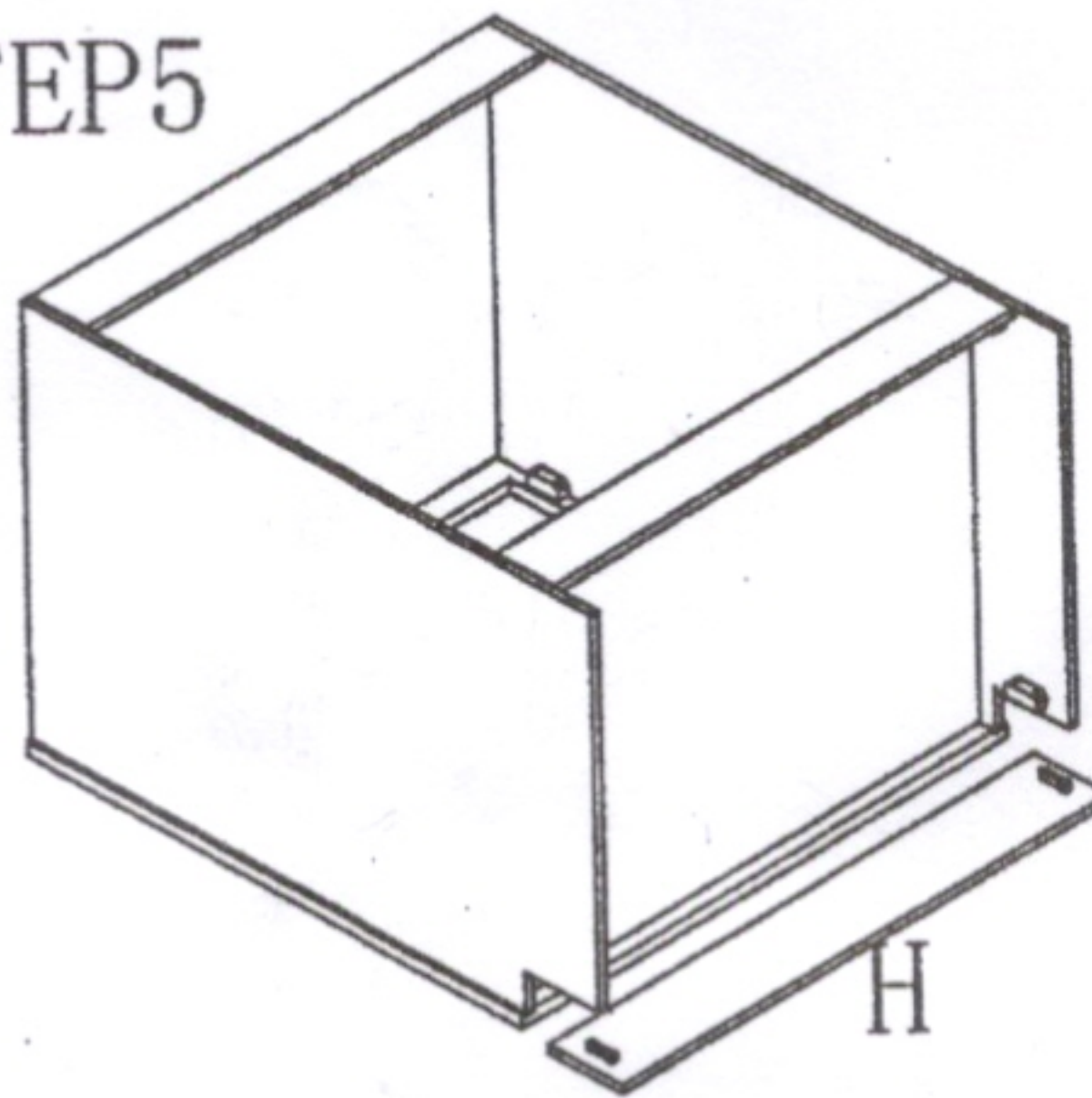
STEP3



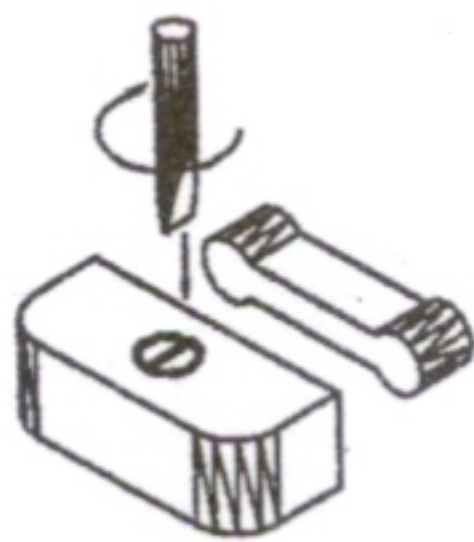
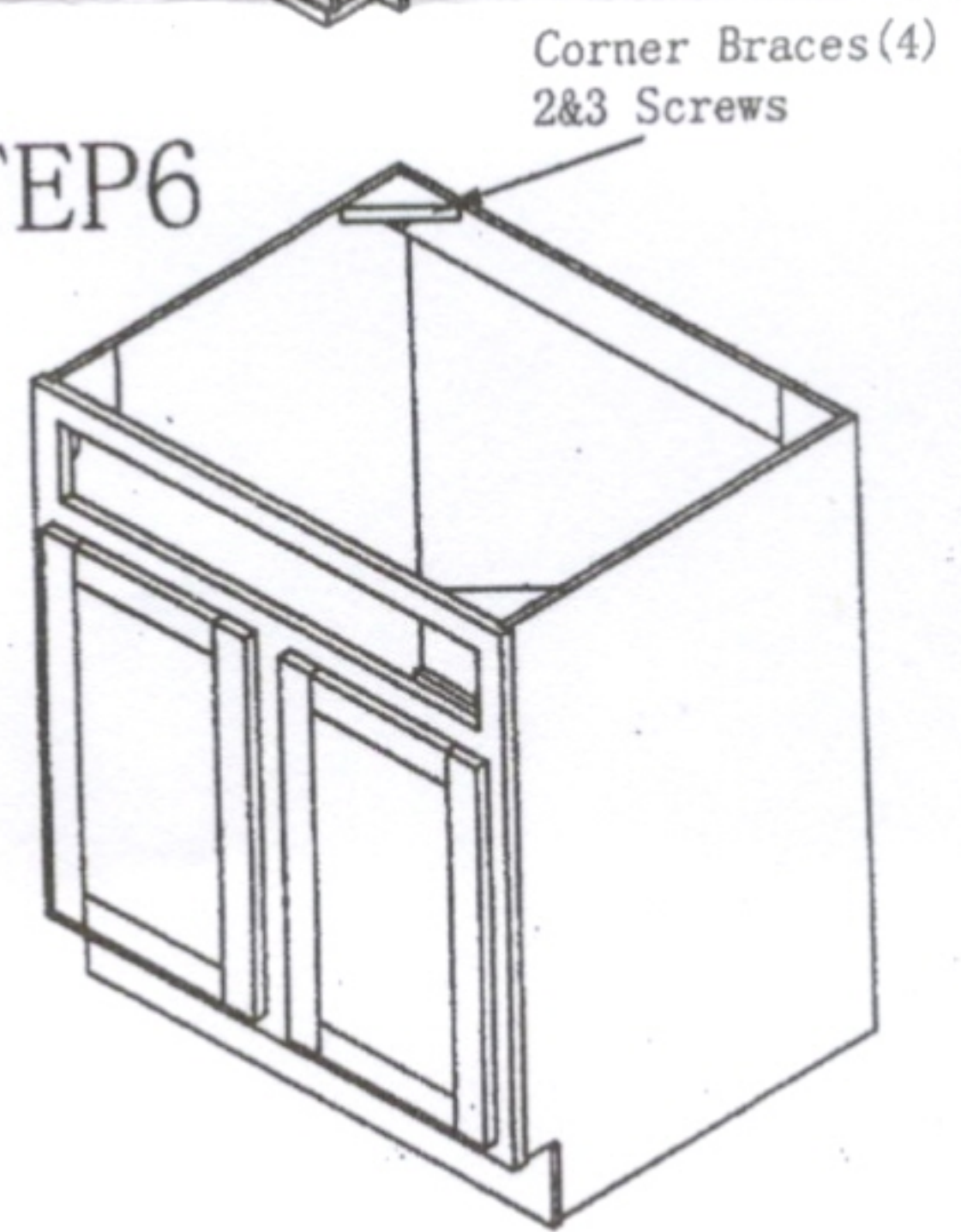
STEP4



STEP5



STEP6



STEP7

